



**Coffee System
Doser Coffee Grinder, Flat 75 mm**

ITEM # _____

MODEL # _____

NAME # _____

SIS # _____

AIA # _____



602544 (GRND700)

* NOT TRANSLATED *

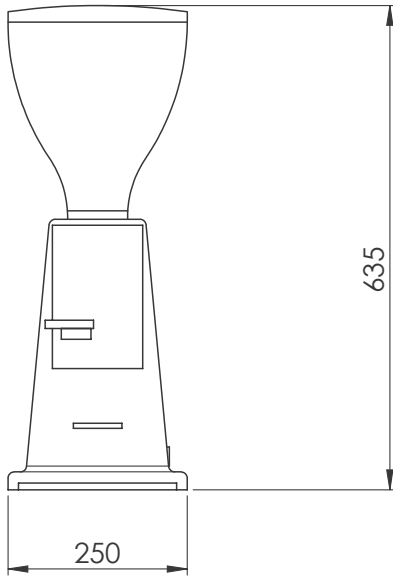
Main Features

- Automatic fill-in doser.
- Practical to use thanks to the automatic refill feature of the doser compartment, distributing a volumetrically controlled, consistent portion every time.

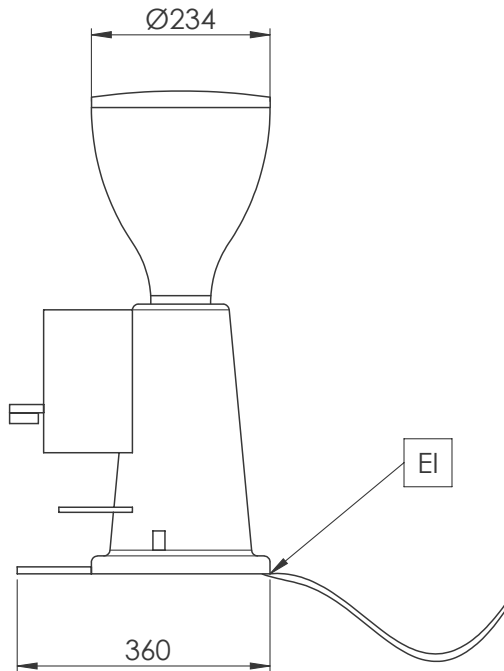
APPROVAL: _____



Front



Side



Electric

Supply voltage:	
602544 (GRND700)	230 V/1N ph/50/60 Hz
Electrical power max.:	0.8 kW
Plug type:	CE-SCHUKO

Key Information:

External dimensions, Width:	250 mm
External dimensions, Depth:	360 mm
External dimensions, Height:	635 mm
Net weight:	15.5 kg
Shipping weight:	18 kg
Shipping height:	880 mm
Shipping width:	440 mm
Shipping depth:	510 mm
Shipping volume:	0.2 m ³